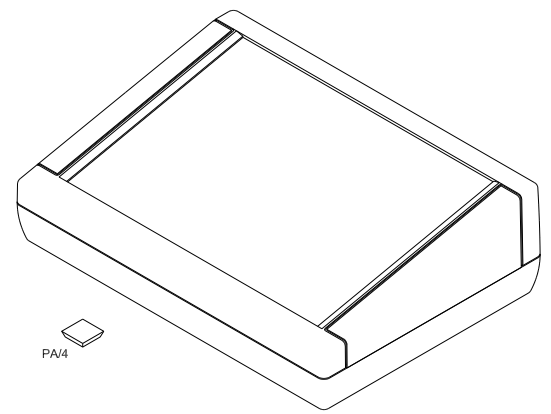
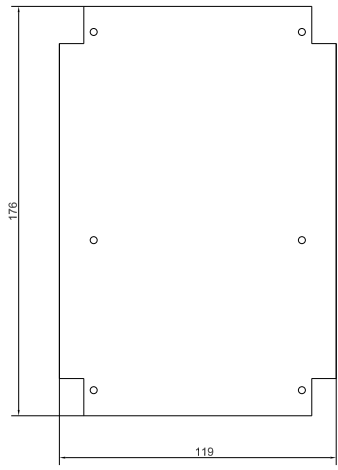


MAXIMUM PCB SIZE



	<p>Subject to technical modification without prior notice.          Tipographical and other errors do not justify any claim for damages.          All dimensions should be verified using an actual insulated part.</p>	<p>Part Number  <b>TK11SP</b></p>
	<p>Date          25/05/2005</p>	<p>Scale  <b>1:1</b></p> <p>Form sheet          A1</p>