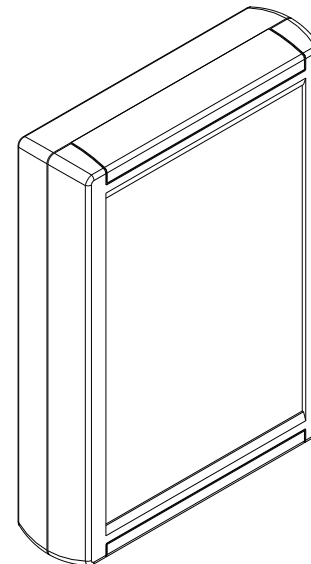


PA/4



| | | |
|--|--|----------------------------|
| | Description Assembly TK11 | Part Number TK11 |
| | Subject to technical modification without prior notice. Tipograficall and other errors do not justify any claim for damages. All dimensions should be verified using an actual moulded part. | |
| | Date 25/05/2005 | Side A1 |
| This document contains proprietary information of TEKO S.p.A. and is licensed subject to the conditions that the information be released in confidence not be reproduced or copied and not be used or incorporated in any product. | | |