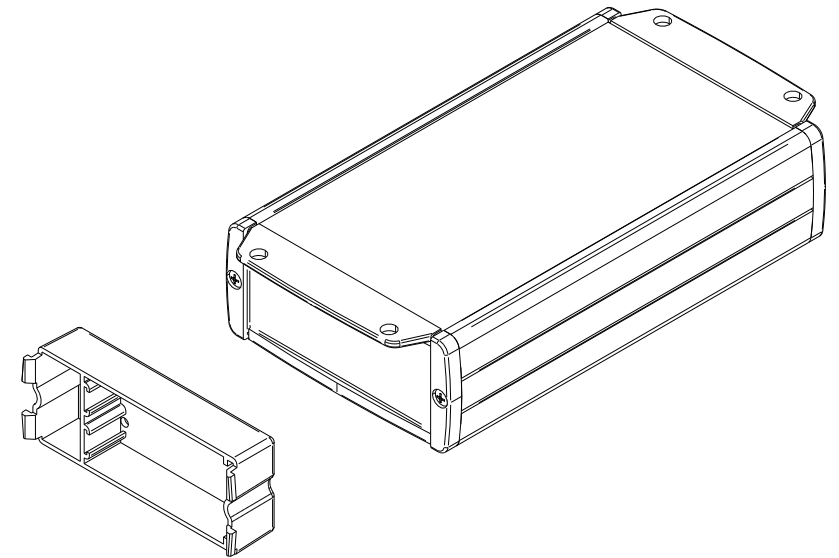
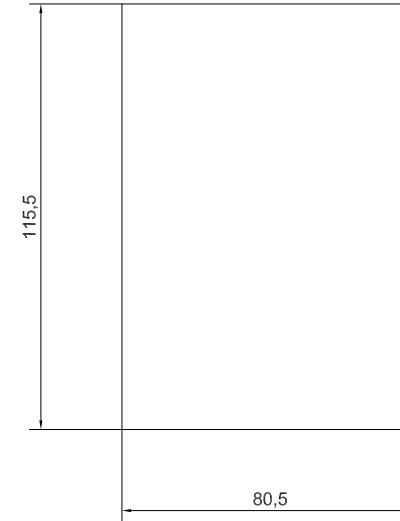

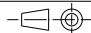


MAXIMUM PCB SIZE



	Denomination	Assembly TEKAL-22EB		Part. Number	TEKAL-22EB	
	Subject to technical modification without prior notice. Tipographical and other errors do not justify any claim for damages. All dimensions should be verified using an actual moulded part.					
	This document contains proprietary information of TEKO S.p.a. and is tendered subject to the conditions that the information be retained in confidence not be reproduced or copied and not be used or incorporated in any product.			Date	26/04/2007	
					Scale	1:1
					Format design	A2